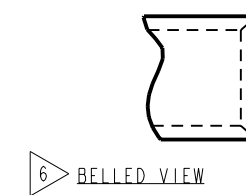
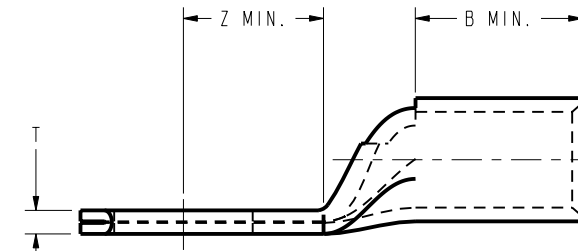
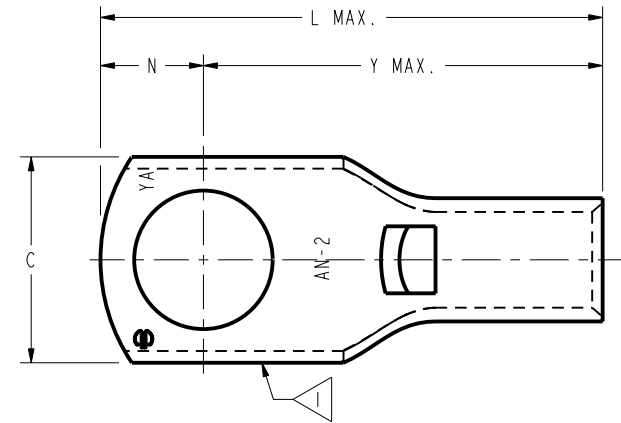


DRAWING NO. SD034764		7		6		5		4		3		2		1									
BURNDY® CATALOG NUMBER	COPPER AIRCRAFT CABLE MIL-W-5086	MS20659 DASH NUMBER	STUD SIZE	B MIN.	C ±.020	L MAX.	N ±.010	R REF.	T ±.020	Y MAX.	Z MIN.	INSTALL. TOOL INDEX NUMBER	REV	DATE	DESCRIPTION	ECO	BY	C'H'K.					
YAV2C-L3	AN-2	146	10	.595	.688	1.722	.344	.69	.091	1.373	.349	41	J	03/11/2015 00:00:00 AM	UPDATED C & T DIMENSIONS FOR CAT. YAVICL3	39458	BSB	RG					
YAV2C-L1		113	1/4	↑	↓	1.722	.344	↑	.091	1.373	.349	↑											
YAV2C-L2		147	5/16			1.722	.344		.091	1.373	.349												
YAV2C-L		114	3/8			1.722	.344		.091	1.373	.349												
YAV2C-L23		---	3/8			.688	1.868		.344	.091	1.519		.495										
YAV2C-L19		---	3/8			.665	1.943		.325	.094	1.613		.589										
YAV2C-L26		---	3/8-10MM			.688	1.722		.344	.091	1.373		.349										
YAV2C-L11		148	7/16			.770	1.878		.385	.079	1.488		.464										
YAV2C-L4		133	1/2			.770	1.878		.385	.079	1.488		.464										
YAV2C-L22		---	1/2			.770	2.082		.385	.079	1.692		.668										
YAV2C-L38		---	3/4			.595	1.250		2.337	.625	.75		.051	1.707	.683	41							
YAV2CL-L56		---	1/2			.725	.830		2.100	.406	.75		.120 MIN	1.685	.551	41							
YAVIC-L6		AN-1	---			10	.595		.760	1.666	.344		.75	.109	1.317	.246	42						
YAVIC-L1			115			1/4	↑		↓	1.839	.380		↑	.109	1.454	.383	↑						
YAVIC-L2	149		5/16			1.839				.380	.109			1.454	.383								
YAVIC-L	116		3/8	1.839	.380	.109		1.454		.383													
YAVIC-L12	---		3/8-10MM	.760	1.759	.344		.109		1.410	.339												
YAVIC-L4	150		7/16	.860	1.970	.430		.102		1.535	.464												
YAVIC-L3	134		1/2	.840	1.970	.430		.100		1.535	.464												
YAVIC-L5	---		5/8	1.060	2.431	.500		.099		1.926	.855												
YAVIC-L18	---	3/8	.595	.760	1.989	.380		.75		.109	1.604	.530		42									
YAV25-L5	AN-1/0	---	10	.658	.830	1.988	.375	.75	.110	1.608	.428	43											
YAV25-L29		---	10-5MM	↑	↓	1.988	.375	↑	.110	1.608	.428	↑											
YAV25-L1		117	1/4			2.028	.415		.110	1.608	.428												
YAV25-L2		151	5/16			2.028	.415		.110	1.608	.428												
YAV25-L		118	3/8			.830	2.028		.415	.110	1.608		.428										
YAV25-L15		---	3/8			.687	1.852		.343	.140	1.504		.324										
YAV25-L26		---	3/8			.880	2.089		.440	.104	1.644		.464										
YAV25-L30		---	3/8			.830	2.830		.390	.110	2.435		1.255										
YAV25-L28		---	3/8-10MM			.830	2.028		.390	.110	1.608		.428										
YAV25-L16		152	7/16			.880	2.089		.440	.105	1.644		.464										
YAV25-L3		135	1/2			.880	2.089		.440	.105	1.644		.464										
YAV25-L4		---	5/8			.880	2.305		.500	.105	1.800		.620										
YAV25-L23		---	3/4			.953	2.490		.625	.093	1.860		.680										
YAV25-L16G1		---	7/16			.830	2.089		.440	.110	1.644		.464										
YAV25-L362	---	1/2	.830			2.089	.440		.110	1.644	.464												
YAV25-L39	---	1/2	.658	.973±.040	2.089	.440	.75	.188 REF.	1.644	.464	43												



NOTES:

1 DUE TO METHODS OF MANUFACTURING, SERRATIONS APPEAR ON TONGUE.

2. MATERIAL: COPPER TUBING

3. FINISH: TIN PLATED

4. ALL ITEMS ARE LISTED BY UNDERWRITERS LABS PER CONTROL NUMBER 670-B, FILE NUMBER E9498, WHITE CARD. (DOES NOT APPLY TO YAV--L-G).

5 ADD SUFFIX "-NK" FOR NICKEL PLATING.

6 ADD SUFFIX "B" FOR BELLED BARREL. BELLED VERSIONS OF THESE HYLUGS™ DON'T CONFORM TO THE MS20659 DASH NO.

REV: PE0200

TO ORDER BURNDY® PRC		HYLUG™	
ITEM NO:	N/A	SCALE: 3:1	
CAT. NO:	YAVL (SEE TABLE)	DRAWING NO	
DRAWN BY:	ESK 02-02-73	SD034764	REV
CHECKER:	TB 06-01-77		J
DSN APPVL:	TB 06-01-77	SHEET 2 OF 3	
MFG APPVL:	--		
QA APPVL:	--		
MKT APPVL:	--		
PROD FAM:	PROD./SMALL COMPRE.		
PROJECT #:	---		
DOCUMENT TYPE:	Sales		
REL LEVEL:	Released		